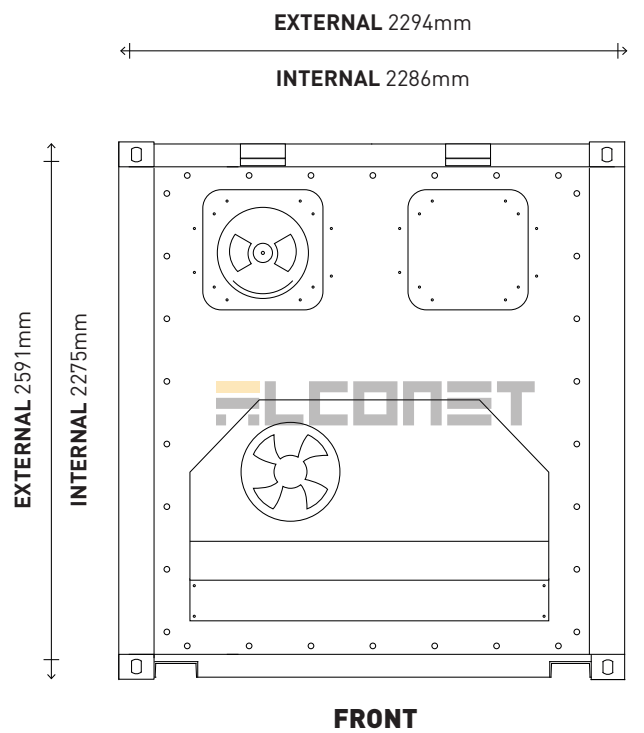
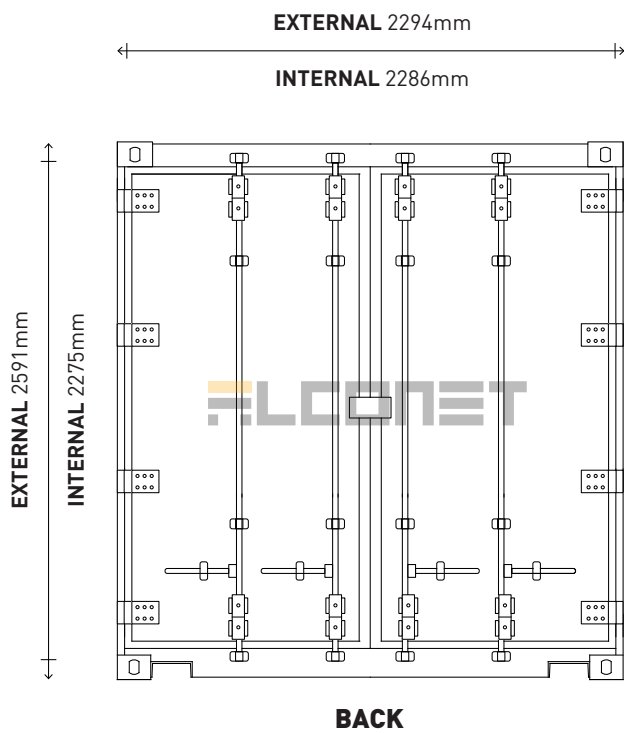


# 20FT REEFER CONTAINER USED



## SPECIFICATIONS

State	Used
Certification	CSC / PTI
Material	Steel

## WEIGHT

Max. load	30480kg
Tare	2500kg
Tare incl. reefer	2940kg

## CONTACT US

E [info@alconet.nl](mailto:info@alconet.nl)  
T 0031 (0) 181 25 44 00